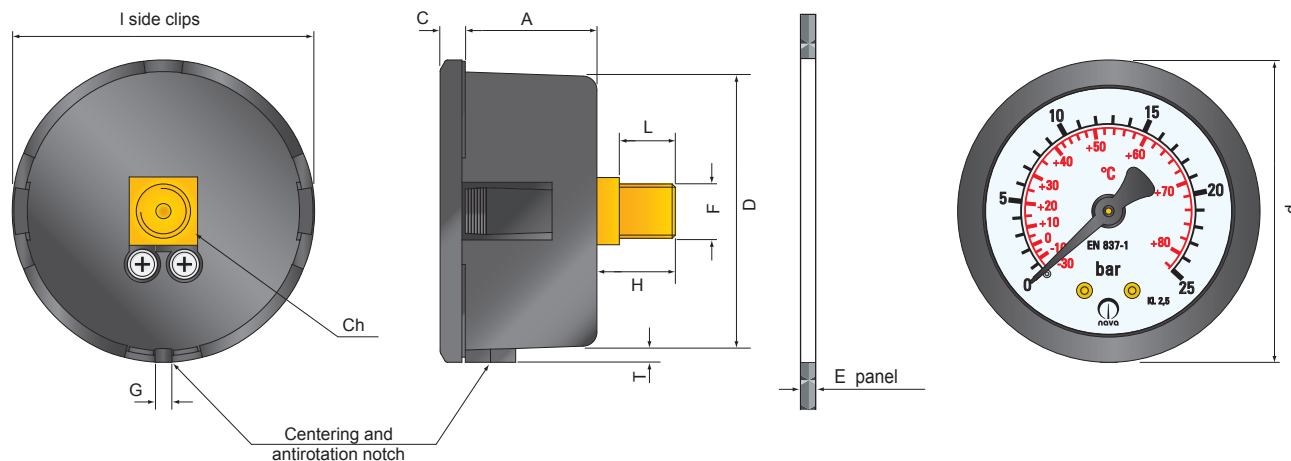


ABS case dry pressure gauges, with side clips for panel mounting, Bourdon tube, brass wetted parts, suitable for applications with non aggressive fluids or gases to copper alloys. Special executions properly made for HVACR industries, refrigeration and air conditioning plants, automotive air conditioning devices, refrigeration machineries and technology.

A-Type panel mounting with side clips, centre back connection



Dimensions: mm	A	C	D	d	E	F	G	H	I	K	L	T	Ch	Weight
A-Type	23.5	4.5	50	55	1 ÷ 3	1/8 BSP-BSPT NPT	3	15	53		10	2	12	~ 55 g

Technical features

- Reference standard:** EN 837-1.
- Pressure ranges:** from -1 bar to 40 bar.
- Accuracy:** Kl. 2.5 % according to EN 837-1.
- Ambient temperature:** -25 ... +65 °C.
- Working fluid temperature:** max +65 °C.
- Thermale effect:** when working temperature deviates from reference temperature (+ 20°C): max ± 0,4 % / 10K of full scale value.
- Working pressure:** Steady: 3/4 of full scale value.
Fluctuating: 2/3 of full scale value.
Short time: full scale value.
- Ingress protection:** IP 40 according to EN 60 529 / IEC 529.

Design features

- Process connection:** Cu alloy.
- Cu alloy Bourdon tube:** C-type for pressure ranges < 60 bar
helical-type for pressure ranges ≥ 60 bar
- Case / Ring:** ABS plastic material black.
- Window:** SAN plastic material.
- Movement:** Cu alloy.
- Dial:** aluminium white, with standard black / red lettering.
- Pointer:** polyamide PA66 30%GF black.
- Panel thickness:** 1 ÷ 3 mm.

Options

- Damped movement.
- Internal pressure restrictor.
- Threads on request obtainable from Ø12.
- Average working fluid temperature till 100 °C with special soft soldering.
- Customizable pressure scales and dials.

Ordering Informations:

Type / Nominal Diameter / Pressure Range / Connection Type / Options

Modifications may take place and materials specified may be replaced by others without prior notice.
Specifications and dimensions given in this leaflet represent the state of engineering at the time of printing.

**AZIENDA CON SISTEMA
DI GESTIONE QUALITA'
CERTIFICATO DA DNV GL
= ISO 9001 =**



Nava s.a.s. di Nava M. & C.
Via Trieste, 10
22037 Pontelambro (Como)
tel. 031/620610
fax 031/621572
www.nava.it
E-Mail: info@nava.it