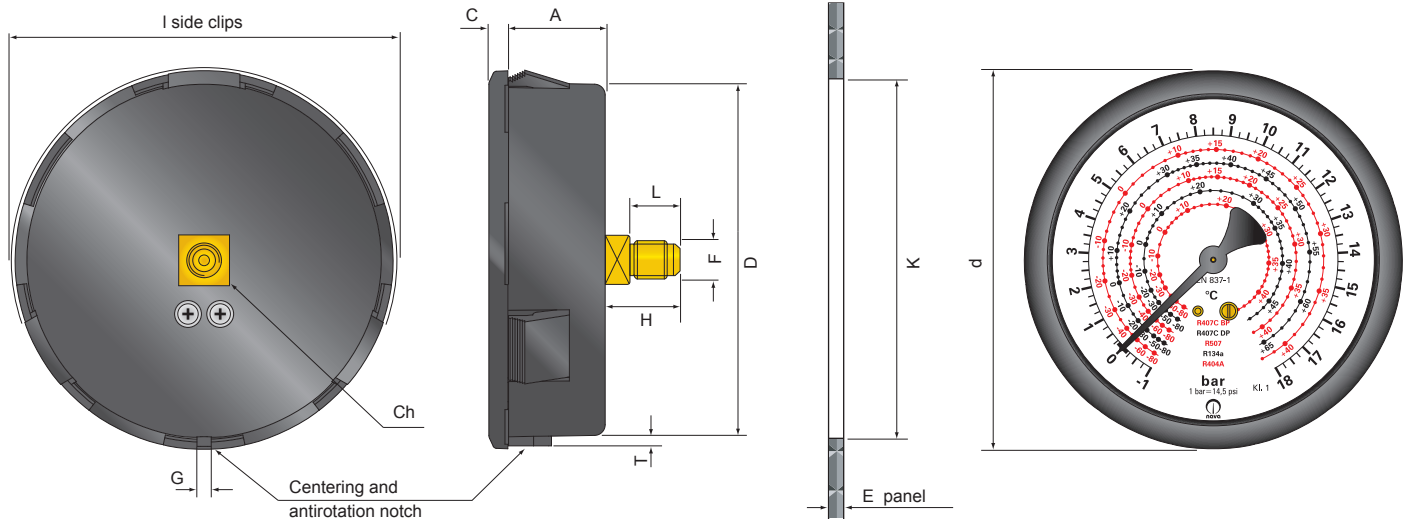


ABS case dry pressure gauges, with side clips for panel mounting, Bourdon tube, brass wetted parts, suitable for applications with non aggressive fluids or gases to copper alloys. Special executions properly made for HVACR industries, refrigeration and air conditioning plants, automotive air conditioning devices, refrigeration machineries and technology.

A-Type panel mounting with side clips, centre back connection



Available Case and Ring Colors:

■ Black

Dimensions: mm	A	C	D	d	E	F	G	H	I	K	L	T	Ch	Weight
A-Type	27	5.5	99	106	min 1.5	1/8 M/F BSP, BSPT, NPT 1/4 BSP, NPT, SAE	4	max 18	106	max 102	10 + 13	2	14	~ 140 g

Technical features

Reference standard: EN 837-1.

Pressure ranges: from -1 bar to 160 bar.

Accuracy: Kl. 1.6 % according to EN 837-1.

Ambient temperature: -25 ... +65 °C.

Working fluid temperature: max +65 °C

Thermal effect: when working temperature deviates from reference temperature (+ 20°C): max ± 0,4 % / 10K of full scale value.

Working pressure: Steady: 3/4 of full scale value.

Fluctuating: 2/3 of full scale value.

Short time: full scale value.

Ingress protection: IP 40 according to EN 60 529 / IEC 529.

Design features

Process connection: Cu alloy.

Cu alloy Bourdon tube: C-type for pressure ranges < 60 bar;
helical-type for pressure ranges ≥ 60 bar.

Case: ABS plastic material black, satin-finished.

Ring: ABS plastic material black, glossy.

Window: SAN plastic material.

Movement: Cu alloy.

Dial: aluminium white with standard black / red lettering, with standard or customizable refrigerant temperature scales.

Pointer: Polyamide PA66 30%GF black, adjustable.

Panel thickness: 1.5 ÷ 3 mm.

Options

Damped movement.

Internal pressure restrictor.

Threads on request obtainable from Ø14.

Customizable dials pressure scales and temperature refrigerant scales.

Average working fluid temperature till 100 °C with special soft soldering.

Aluminium black pointer.

Ordering Informations:

Type / Nominal Diameter / Pressure Range / Connection Type / Options

Modifications may take place and materials specified may be replaced by others without prior notice.
Specifications and dimensions given in this leaflet represent the state of engineering at the time of printing.