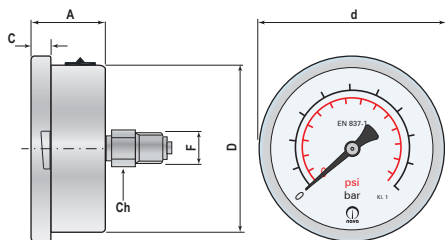
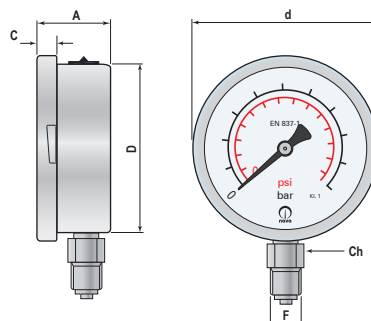


All Stainless Steel dry pressure gauges, Bourdon tube, AISI 316L wetted parts, suitable for applications involving very corrosive working fluids and ambience conditions. These gauges can be properly used for hard and heavy installations of food, petrochemical, chemical and pharmaceutical industries. Suitable also for the most recent applications of automotive, conditioning and refrigeration industries.

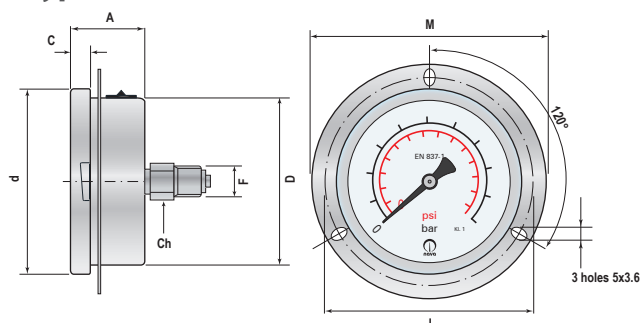
P-Type direct mounting, back connection



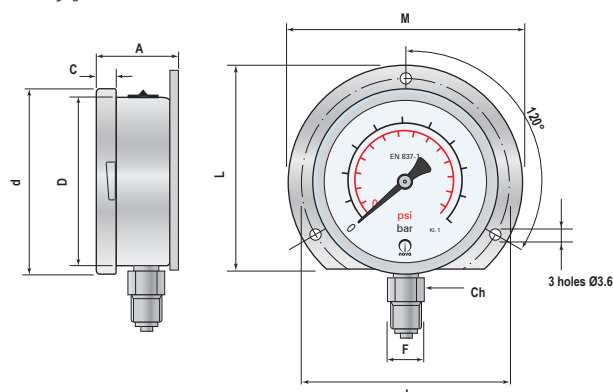
R-Type direct mounting, bottom connection



F-Type panel mounting with front flange, lower back connection



E-Type wall mounting with back flange, bottom connection



| Dimensions: mm | A | C | D | d | F | H | I | K | L | M | T | Ch | Weight |
|----------------|----|----|------|------|----------------|---|----|---|----|----|---|----|--------|
| P-Type | 33 | 12 | 62.5 | 69.7 | 1/4" BSP / NPT | | | | | | | 14 | |
| R-Type | 33 | 12 | 62.5 | 69.7 | 1/4" BSP / NPT | | | | | | | 14 | |
| F-Type | 33 | 12 | 62.5 | 69.7 | 1/4" BSP / NPT | | 75 | | 77 | 86 | | 14 | |
| E-Type | 40 | 12 | 62.5 | 69.7 | 1/4" BSP / NPT | | 75 | | | 86 | | 14 | |

Technical features

Reference standard: EN 837-1.

Pressure ranges: from -1 bar to 600 bar.

Accuracy: Kl. 1,6% according to EN 837-1.

Ambient temperature: -40 ...+65 °C without glycerin
-20 ...+65 °C with glycerin

Process fluid temperature: max. +200 °C.

Thermal effect: When working temperature deviates from reference temperature (+ 20°C): max ± 0,4 % / 10K of end-of-scale value.

Working pressure: Steady: 100% full scale value.
Fluctuating: 90% full scale value.
Short time: 130% full scale value till 100bar FSV
115% full scale value beyond 100bar FSV

Weld joints: TIG argon arc welding.

Ingress protection: IP 65 according to EN 60 529 / IEC 529.

Design features

Process connection: AISI 316L stainless steel, directly welded to the case.

AISI 316L stainless steel Bourdon tube: C-type ≤ 100 bar full scale value
Helical type > 100 bar full scale value.

Case / Ring: AISI 304 stainless steel, bayonet ring.

Window: Plexi glass.

Movement: AISI 304 stainless steel.

Dial: Aluminium white with standard black/red lettering.

Pointer: Aluminium black.

Options

Other threaded connections available on demand.
AISI 316 stainless steel case and ring.
U-clamp mounting.
Customer designed dials.
Dial tag marking.
Damped movement.
Dampening liquid filling.

Ordering Informations:

Type / Nominal Diameter / Pressure Range / Connection Type / Options

Modifications may take place and materials specified may be replaced by others without prior notice.
Specifications and dimensions given in this leaflet represent the state of engineering at the time of printing.